

131 B TESTE PER COLTELLI BULLDOZER

CUTTERBLOCK FOR BULLDOZER SYSTEM KNIVES



TESTE PORTACOLTELLI COMPLETE DI COLTELLI HW SISTEMA BULLDOZER.
CORPO STANDARD IN LEGA LEGGERA.
(ACCIAIO A RICHIESTA)
COLTELLI REVERSIBILI RIAFFILABILI

CUTTERBLOCK WITH HW PLANING KNIVES
BULLDOZER SYSTEM.
STANDARD TOOL WITH LIGHT ALLOY BODY.
(STEEL BODY ON REQUEST).
REVERSIBLE RESHARPENABLE KNIVES

131 B CORPO IN ACCIAIO STEEL BODY

MEC

Codice	D. mm.	B mm.	d. mm.	Z	
131 B 1012	100	120	35	4	n max 10000
131 B 1019	100	190	35	4	n max 10000
131 B 10	125	100	40	4	n max 9000
131 B 13	125	130	40	4	n max 9000
131 B 15	125	150	40	4	n max 9000
131 B 18	125	180	40	4	n max 9000
131 B 23	125	230	40	4	n max 9000

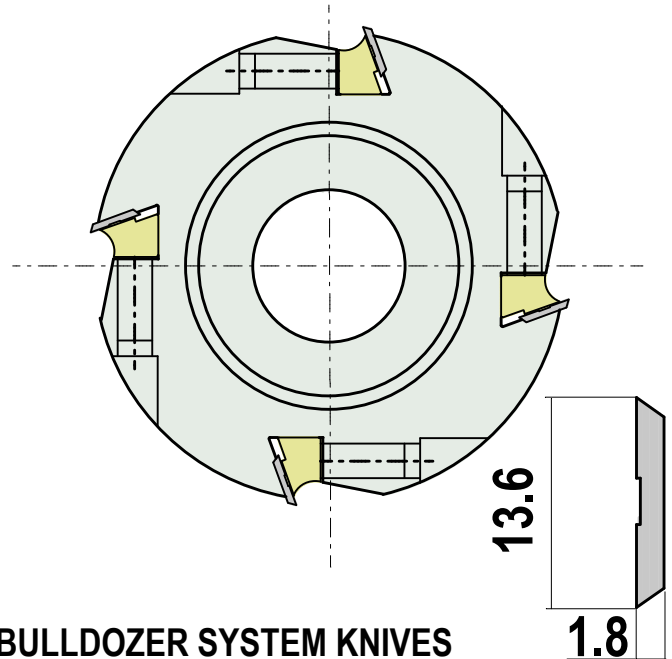
131 BA CORPO IN LEGA LEGGERA LIGHT ALLOY BODY

MEC

Codice	D. mm.	B mm.	d. mm.	Z	
131 BA 1012	100	120	35	4	n max 10000
131 BA 1019	100	190	35	4	n max 10000
131 BA 10	125	100	40	4	n max 9000
131 BA 13	125	130	40	4	n max 9000
131 BA 15	125	150	40	4	n max 9000
131 BA 18	125	180	40	4	n max 9000
131 BA 23	125	230	40	4	n max 9000




ALTRI FORI A RICHIESTA / OTHERS BORES ON REQUEST

DIMENSIONI SPECIALI A RICHIESTA
SPECIAL DIMENSIONS ON REQUEST



BULLDOZER SYSTEM KNIVES

RICAMBI-SPARE PARTS

Codice nr.	Dimensioni	
129 B 100	100 x 13.6 x 1.8	COLTELLI HW BULLDOZER  HW KNIVES BULLDOZER SYSTEM
129 B 120	120 x 13.6 x 1.8	
129 B 130	130 x 13.6 x 1.8	
129 B 150	150 x 13.6 x 1.8	
129 B 180	180 x 13.6 x 1.8	
129 B 210	210 x 13.6 x 1.8	
129 B 230	230 x 13.6 x 1.8	
129 B 250	250 x 13.6 x 1.8	
129 B 260	260 x 13.6 x 1.8	
C 100	L=100	
C 120	L=120	
C 130	L=130	
C 150	L=150	
C 180	L=180	
C 210	L=210	
C 230	L=230	
C 250	L=250	
C 260	L=260	
000/008	M8x15	 GRANI SCREWS
000/032	4 mm	 CHIAVE ESAG. WRENCH