

120 SET PER AVANZAMENTO MECCANICO

UNIVERSAL PROFILE CUTTERHEAD SET FOR MEC FEED

COLTELLI 40 X 4 mm

KNIVES 40 X 4 mm

120 06 6 PROFILI - 6 PROFILES

MEC

Codice	Utensile Tool	D. mm.	d. mm.	profili profiles
--------	------------------	-----------	-----------	---------------------

120 06 10 103 10 100 30 DAL Nr 1 AL Nr 6
120 06 12 103 12 120 30-35 FROM Nr1 TO Nr 6

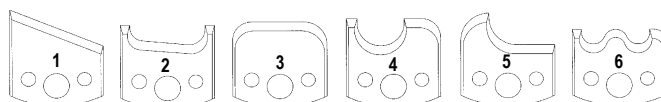
SET COMPOSTO DA / SET INCLUDES:

1 TESTA / CUTTERHEAD art. 103 (D.100 o 120 mm)

6 COPPIE DI COLTELLI / PAIR KNIVES

1 CHIAVE ESAG./EXAG. WRENCH 5 mm

1 CASSETTA DI LEGNO/WOODEN BOX



FORI A RICHIESTA-BORES ON REQUEST-mm 31.75-40-50

A RICHIESTA CASSETTA CON PROFILI A SCELTA
ON REQUEST WOOD BOX WITH PROFILED KNIVES
ON CUSTOMER CHOICE.

120 12 12 PROFILI - 12 PROFILES

MEC

Codice	Utensile Tool	D. mm.	d. mm.	profili profiles
--------	------------------	-----------	-----------	---------------------

120 12 10 103 10 100 30 DAL Nr1 AL Nr 12
120 12 12 103 12 120 30-35 FROM Nr 1 TO Nr 12

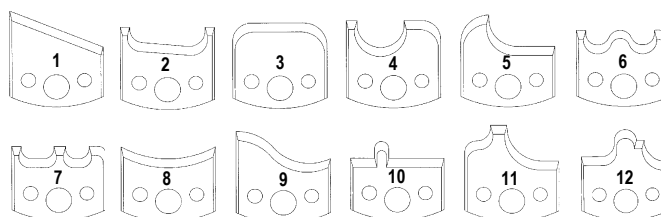
SET COMPOSTO DA / SET INCLUDES:

1 TESTA / CUTTERHEAD art. 103 (D.100 o 120 mm)

13 COPPIE DI COLTELLI / PAIR KNIVES

1 CHIAVE ESAG./EXAG. WRENCH 5 mm

1 CASSETTA DI LEGNO/WOODEN BOX



FORI A RICHIESTA-BORES ON REQUEST-mm 31.75-40-50

A RICHIESTA CASSETTA CON PROFILI A SCELTA
ON REQUEST WOOD BOX WITH PROFILED KNIVES
ON CUSTOMER CHOICE.

120 24 24 PROFILI - 24 PROFILES

MEC

Codice	Utensile Tool	D. mm.	d. mm.	profili profiles
--------	------------------	-----------	-----------	---------------------

120 24 10 103 10 100 30 DAL Nr 1 AL Nr 24
120 24 12 103 12 120 30-35 FROM Nr 1 TO Nr 24

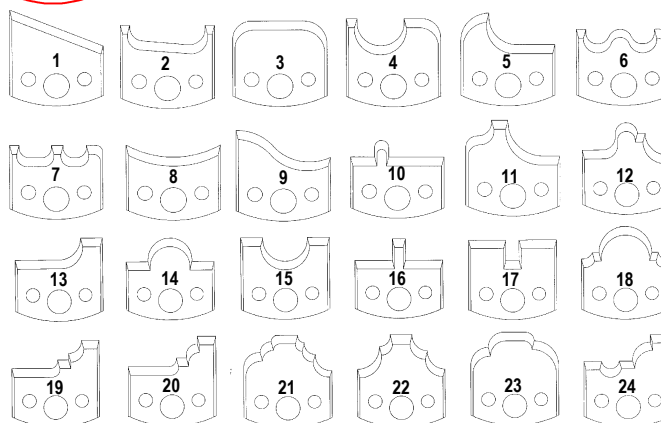
SET COMPOSTO DA / SET INCLUDES:

1 TESTA / CUTTERHEAD art. 103 (D.100 o 120 mm)

25 COPPIE DI COLTELLI / PAIR KNIVES

1 CHIAVE ESAG./EXAG. WRENCH 5 mm

1 CASSETTA DI LEGNO/WOODEN BOX



FORI A RICHIESTA-BORES ON REQUEST-mm 31.75-40-50

A RICHIESTA CASSETTA CON PROFILI A SCELTA
ON REQUEST WOOD BOX WITH PROFILED KNIVES
ON CUSTOMER CHOICE.

COLTELLI PROFILATI DA 40 x 4 mm

COLTELLI E LIMITATORI IN ACCIAIO SP
DA 40 x 4 mm. DA USARE SULLE TESTE
TIPO 102-103.

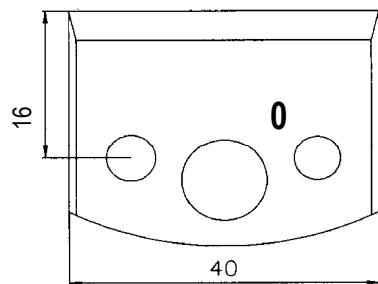
PROFILED KNIVES AND DEFLECTORS
IN SP STEEL 40 x 4 mm. TO USE WITH
HEADS TYPE 102-103.

CODICE COLTELLO 119N....

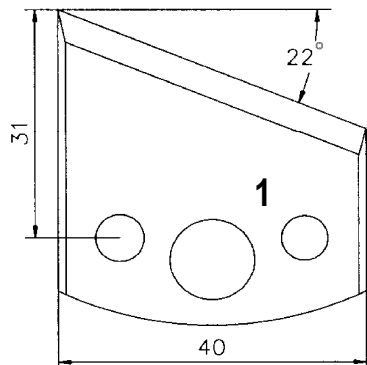
KNIFE CODE 119N....

CODICE LIMITATORE 119C....

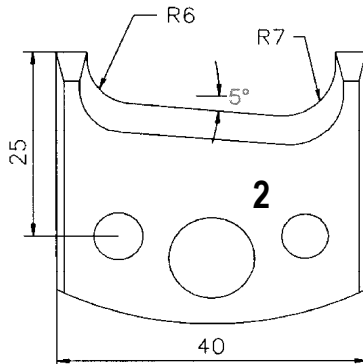
DEFLECTOR CODE 119C....



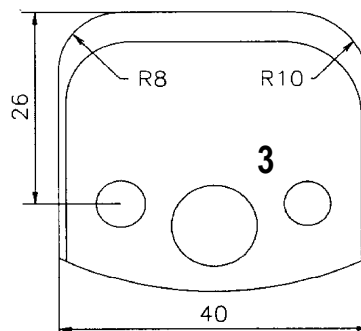
102-16 / 102-C



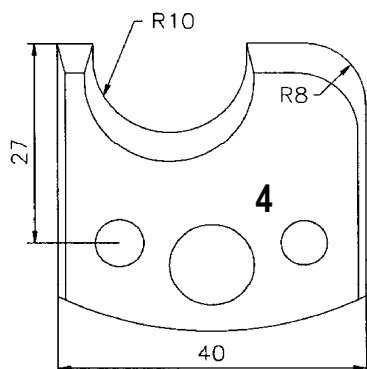
119N01 / 119C01



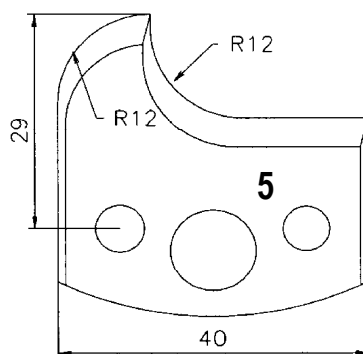
119N02 / 119C02



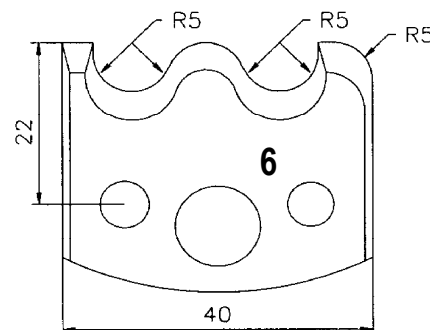
119N03 / 119C03



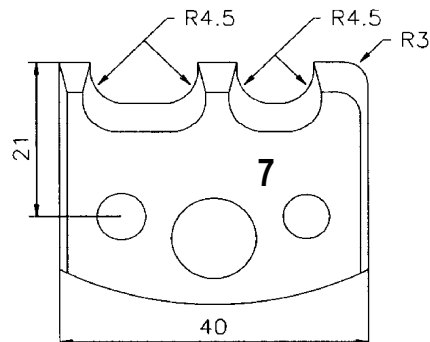
119N04 / 119C04



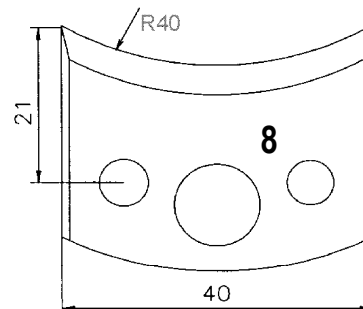
119N05 / 119C05



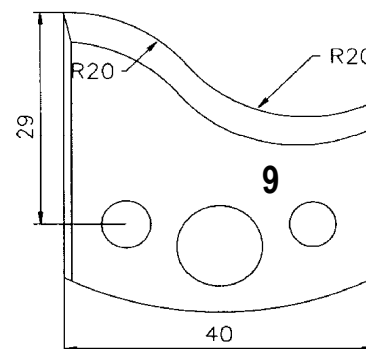
119N06 / 119C06



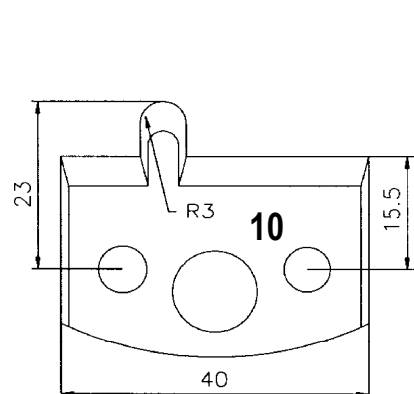
119N07 / 119C07



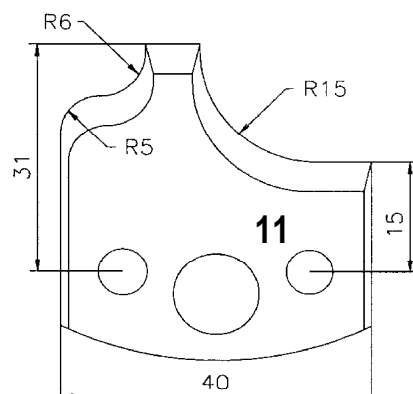
119N08 / 119C08



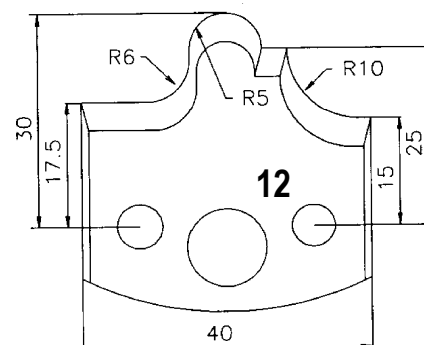
119N09 / 119C09



119N10 / 119C10

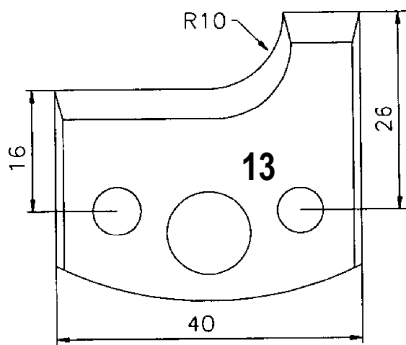


119N11 / 119C11

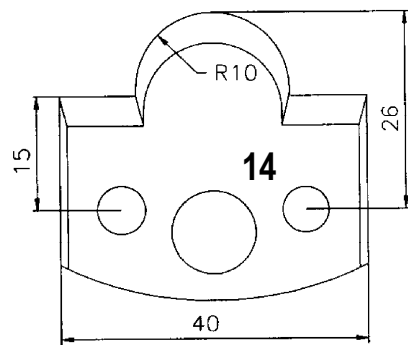


119N12 / 119C12

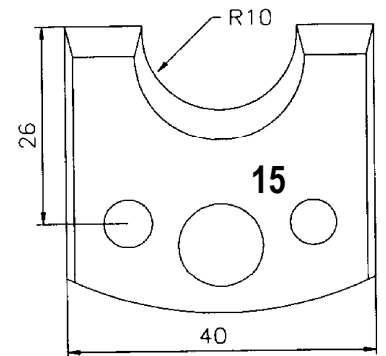
COLTELLI PROFILATI DA 40 x 4 mm



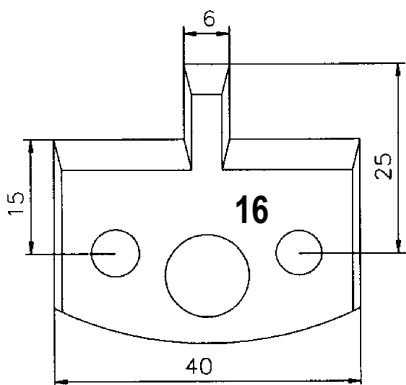
119N13 / 119C13



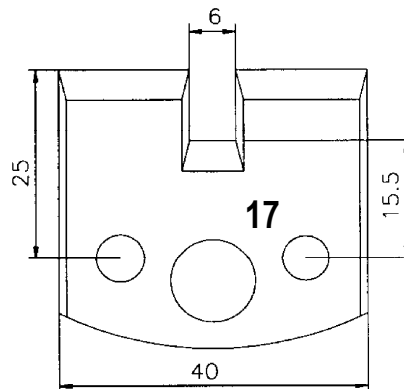
119N14 / 119C14



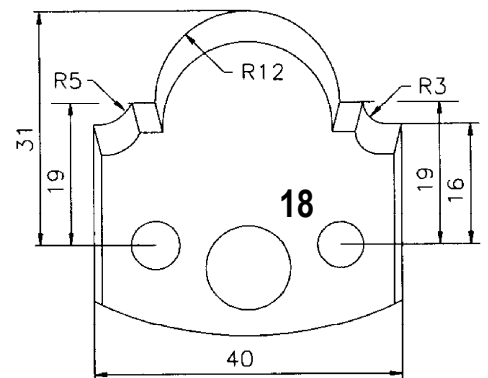
119N15 / 119C15



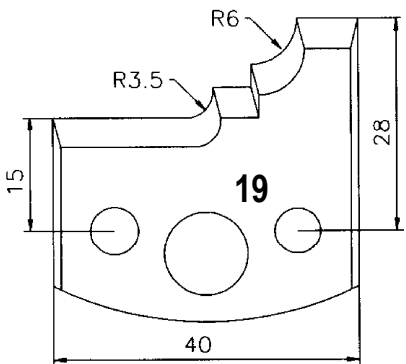
119N16 / 119C16



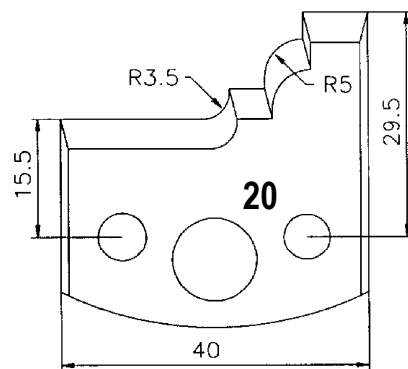
119N17 / 119C17



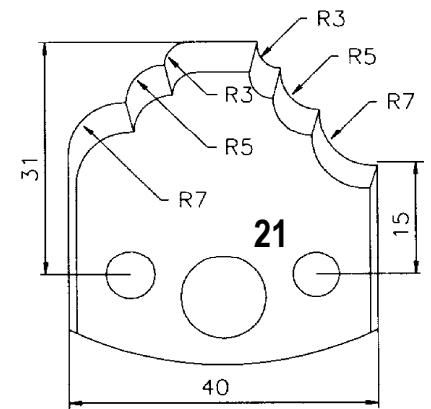
119N18 / 119C18



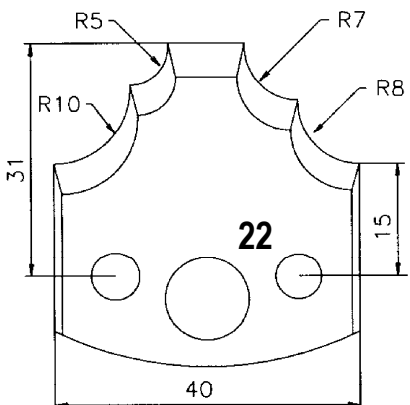
119N19 / 119C19



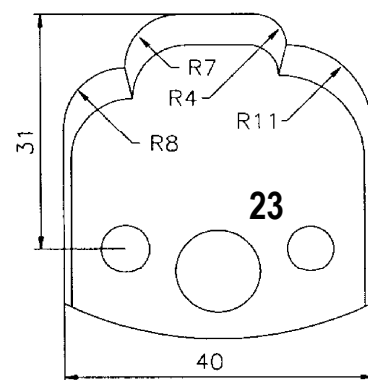
119N20 / 119C20



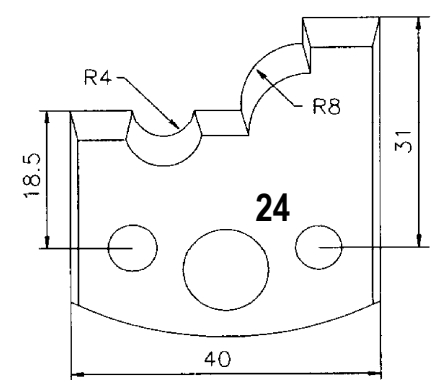
119N21 / 119C21



119N22 / 119C22

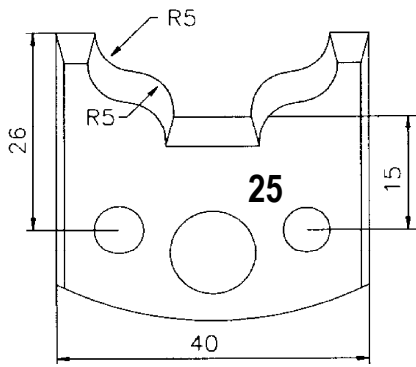


119N23 / 119C23

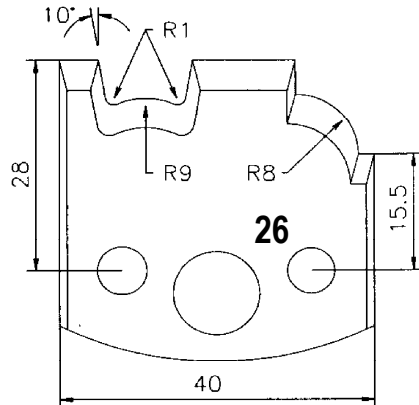


119N24 / 119C24

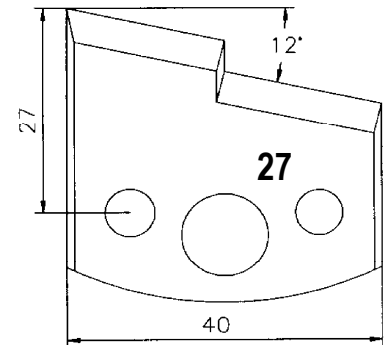
COLTELLI PROFILATI DA 40 x 4 mm



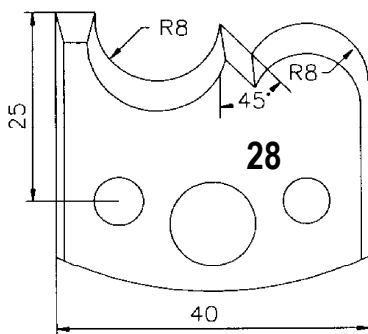
119N25 / 119C25



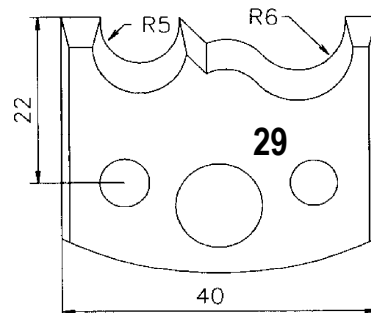
119N26 / 119C26



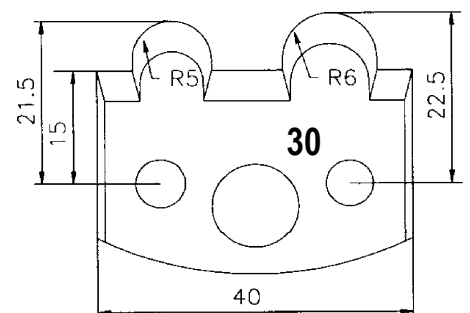
119N27 / 119C27



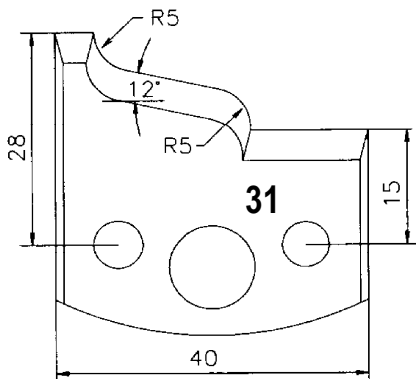
119N28 / 119C28



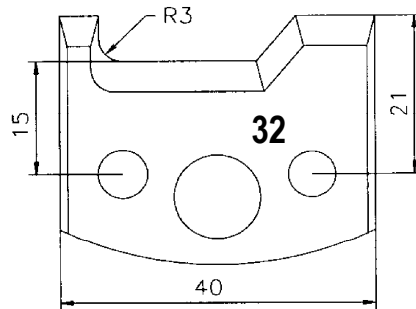
119N29 / 119C29



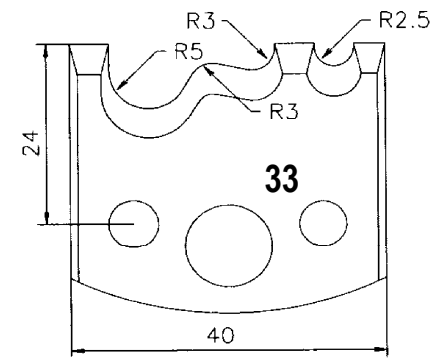
119N30 / 119C30



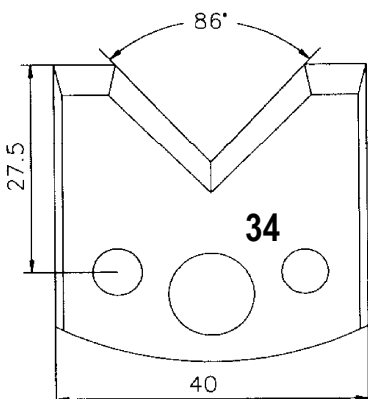
119N31 / 119C31



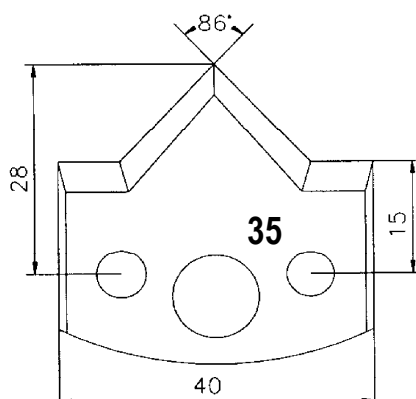
119N32 / 119C32



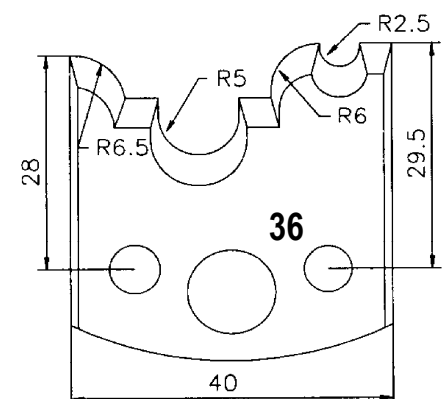
119N33 / 119C33



119N34 / 119C34

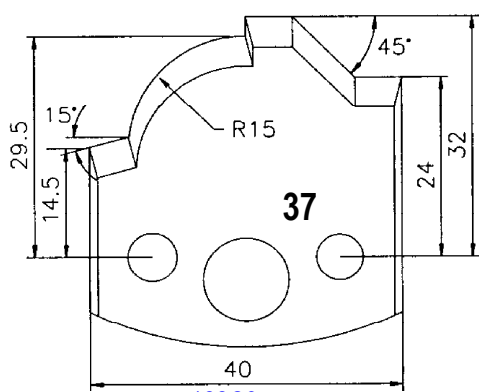


119N35 / 119C35

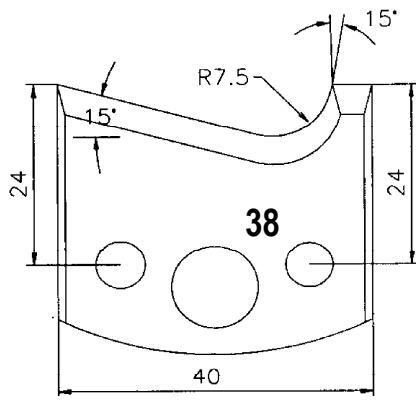


119N36 / 119C36

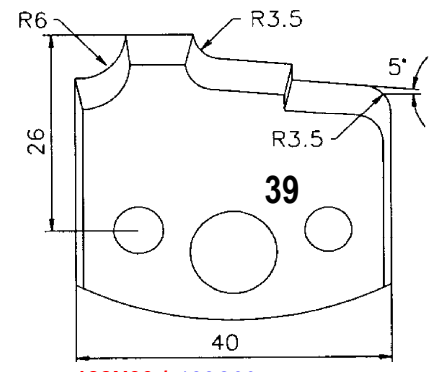
COLTELLI PROFILATI DA 40 x 4 mm



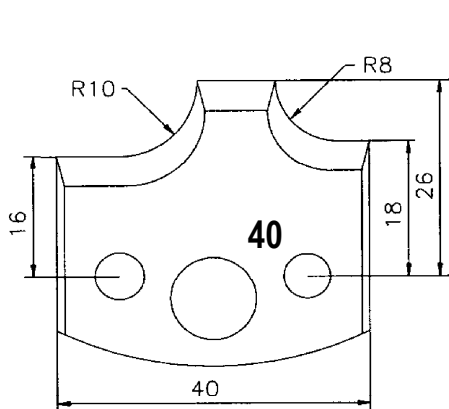
122N37 / 122C37



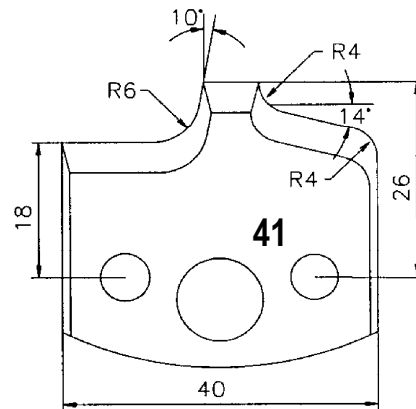
122N38 / 122C38



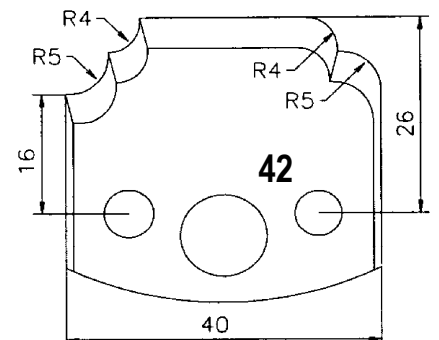
122N39 / 122C39



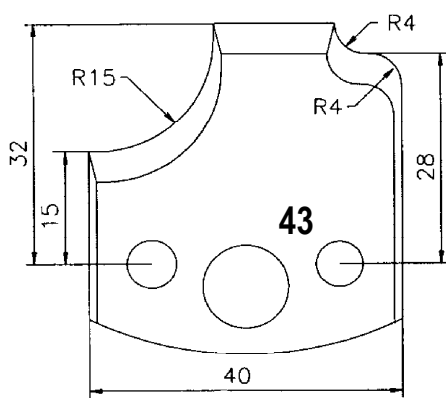
122N40 / 122C40



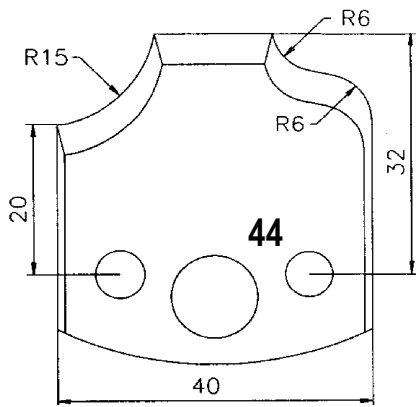
122N41 / 122C41



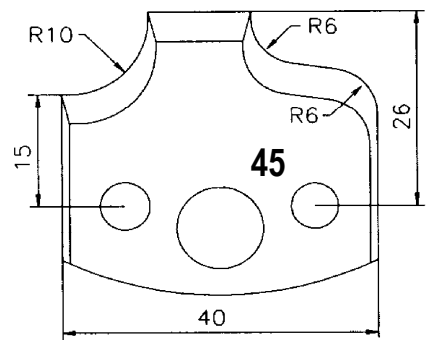
122N42 / 122C42



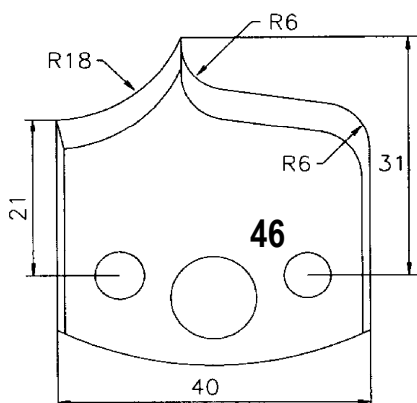
122N43 / 122C43



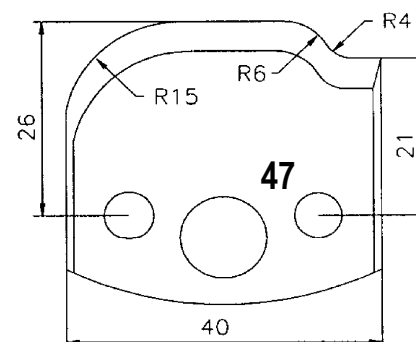
122N44 / 122C44



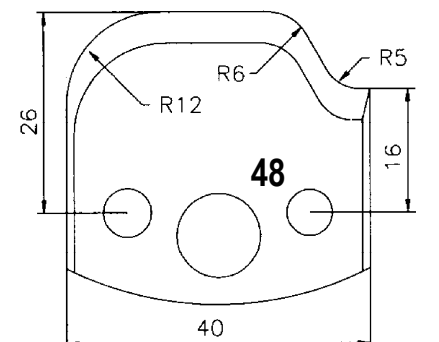
122N45 / 122C45



122N46 / 122C46

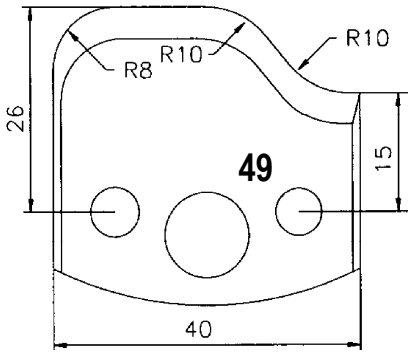


122N47 / 122C47

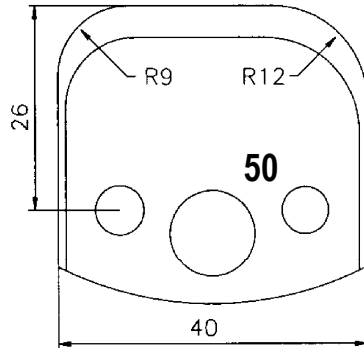


122N48 / 122C48

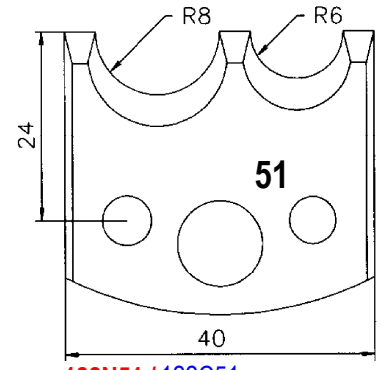
COLTELLI PROFILATI DA 40 x 4 mm



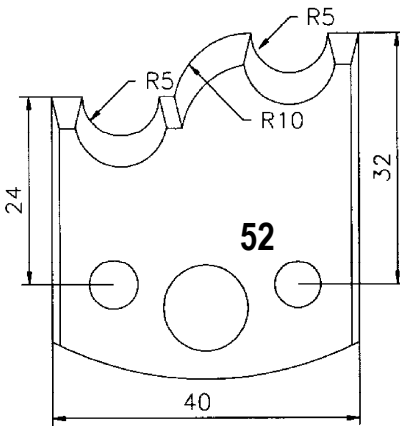
122N49 / 122C49



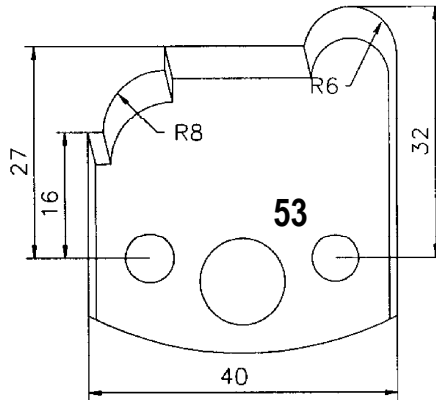
122N50 / 122C50



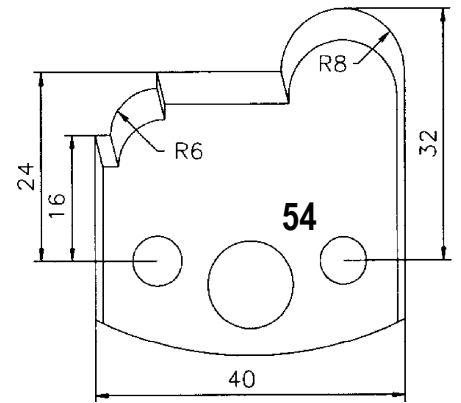
122N51 / 122C51



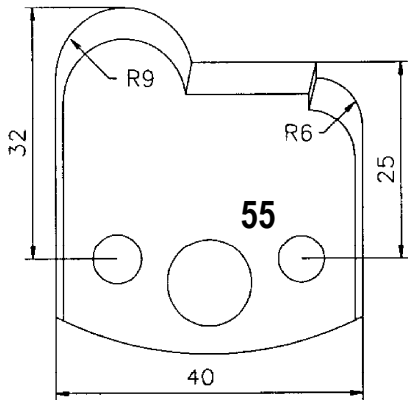
122N52 / 122C52



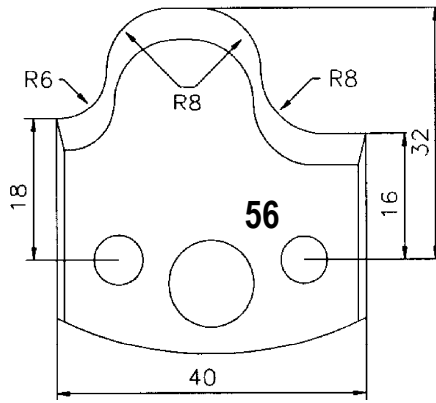
122N53 / 122C53



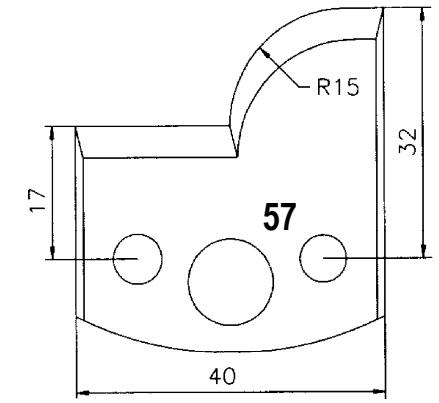
122N54 / 122C54



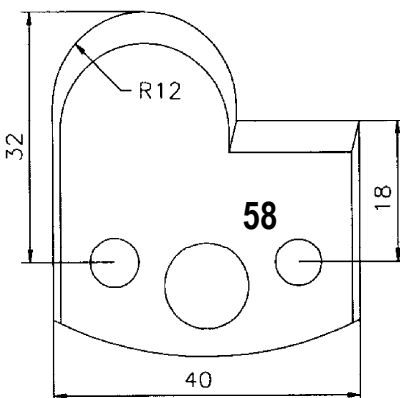
122N55 / 122C55



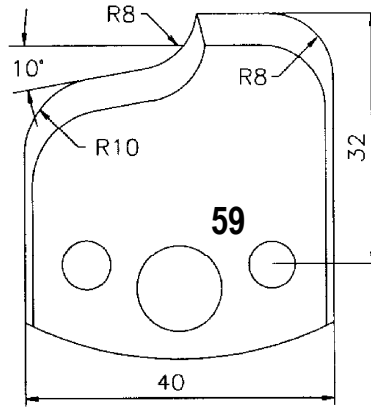
122N56 / 122C56



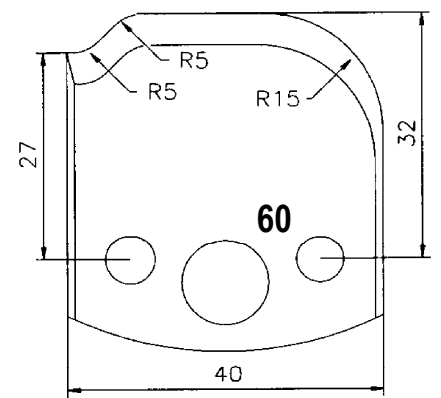
122N57 / 122C57



122N58 / 122C58

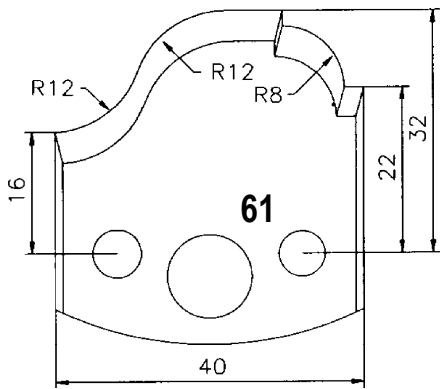


122N59 / 122C59

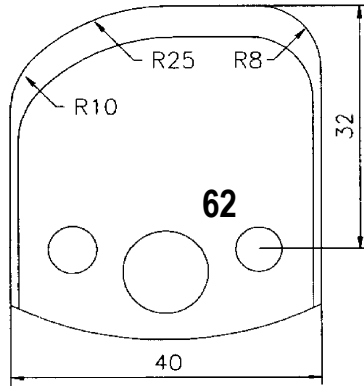


122N60 / 122C60

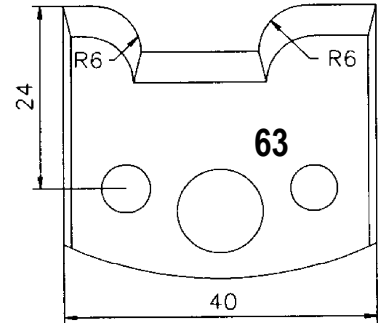
COLTELLI PROFILATI DA 40 x 4 mm



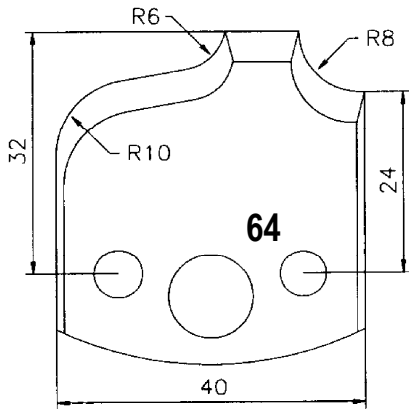
122N61 / 122C61



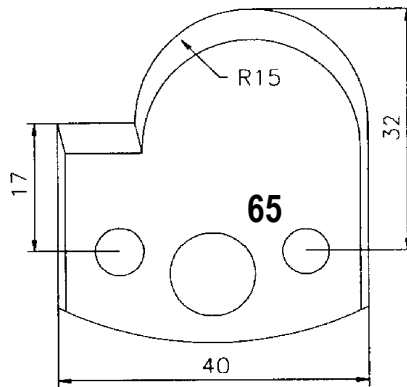
122N62 / 122C62



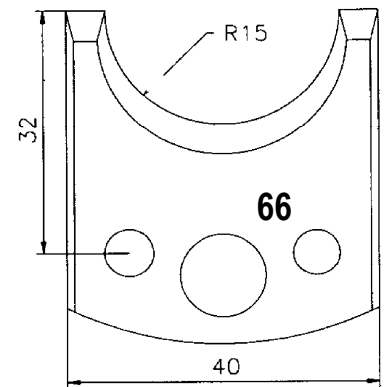
122N63 / 122C63



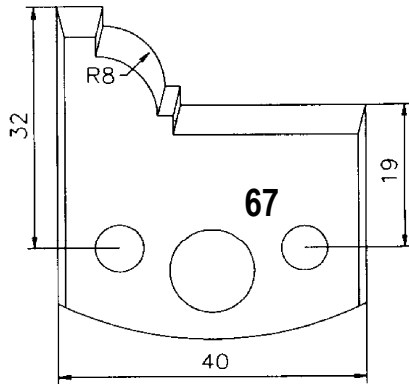
122N64 / 122C64



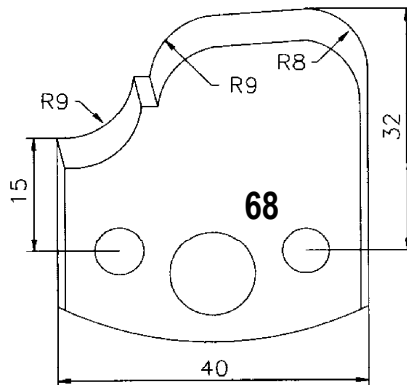
122N65 / 122C65



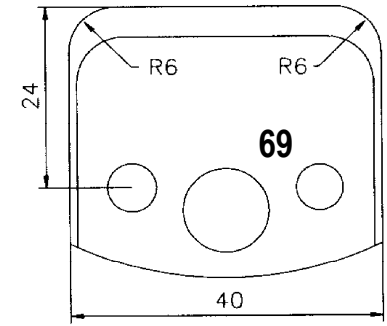
122N66 / 122C66



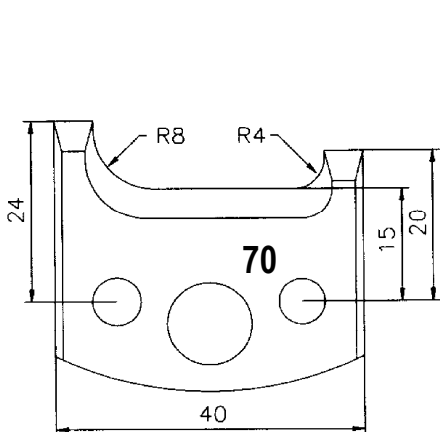
122N67 / 122C67



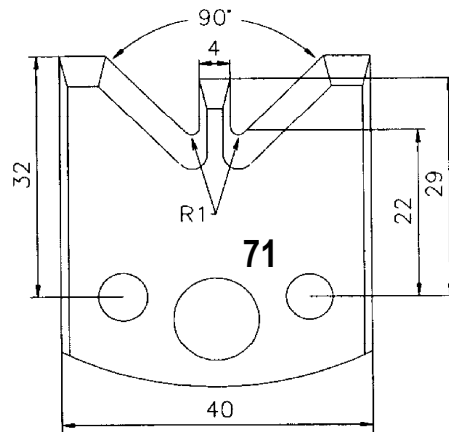
122N68 / 122C68



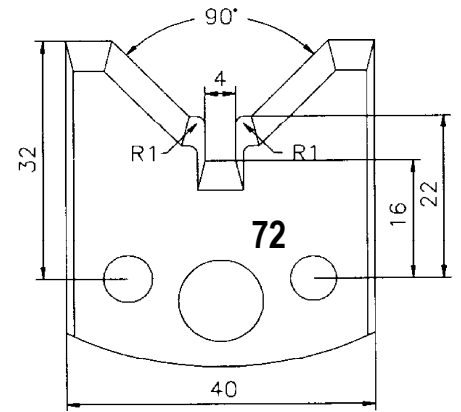
122N69 / 122C69



122N70 / 122C70

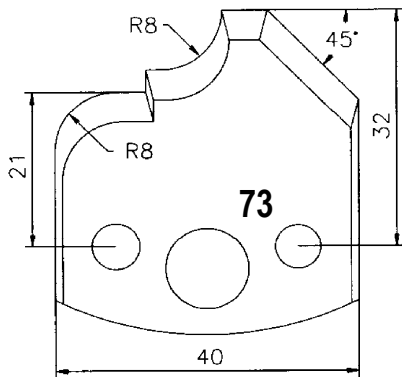


120N71 / 120C70

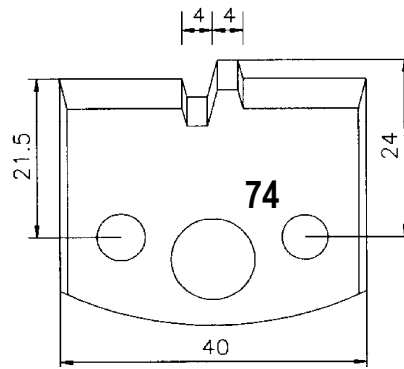


120N72 / 120C71

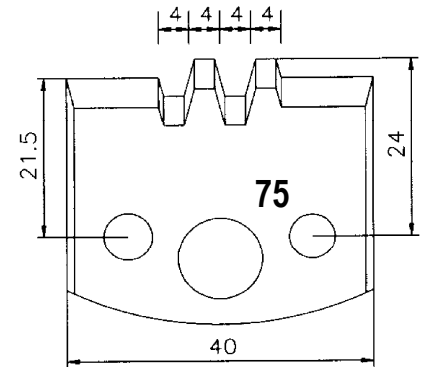
COLTELLI PROFILATI DA 40 x 4 mm



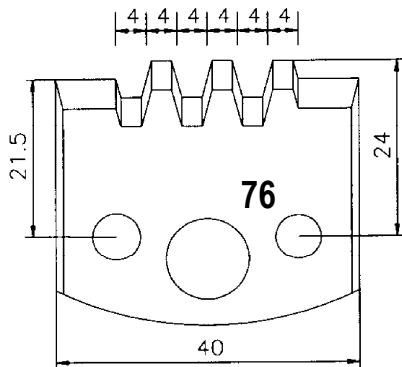
122N73 / 122C73



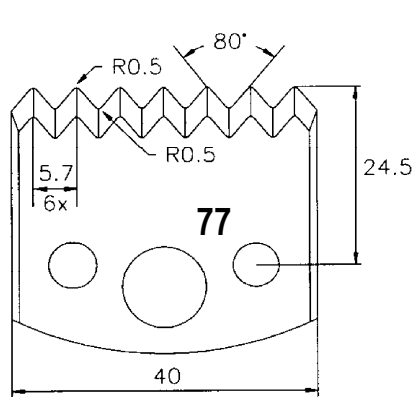
122N74 / 122C74



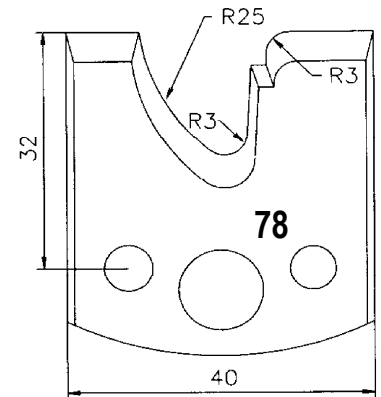
122N75 / 122C75



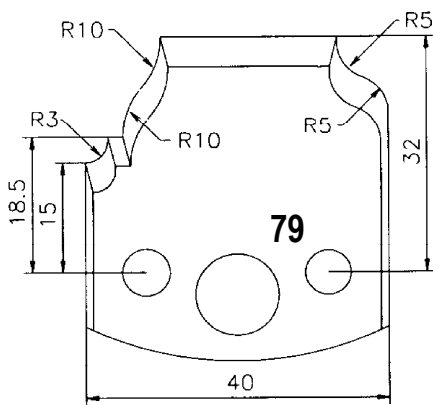
122N76 / 122C76



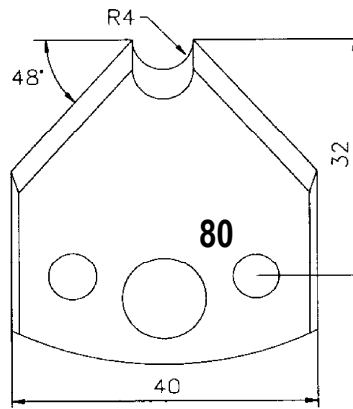
122N77 / 122C77



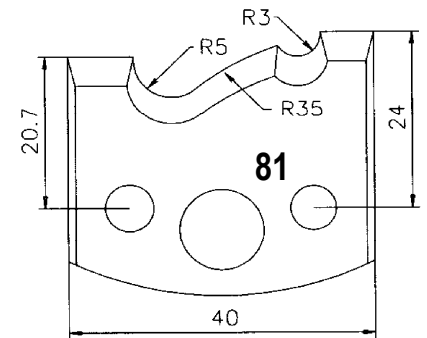
122N78 / 122C78



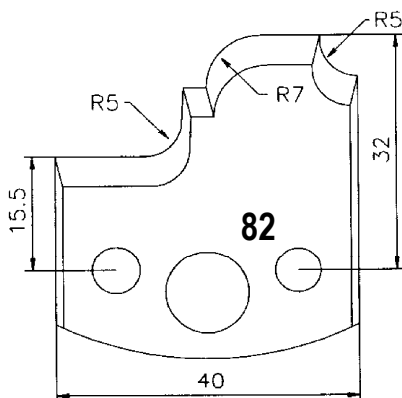
122N79 / 122C79



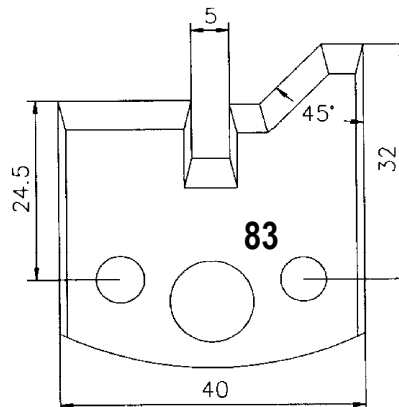
122N80 / 122C80



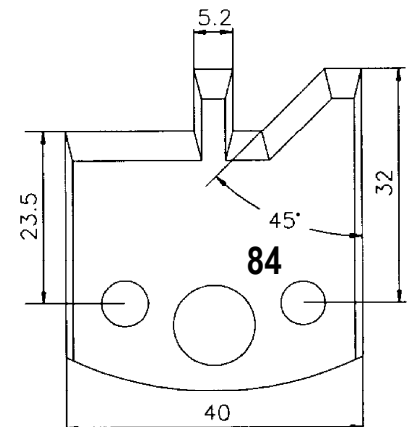
122N81 / 122C81



122N82 / 122C82

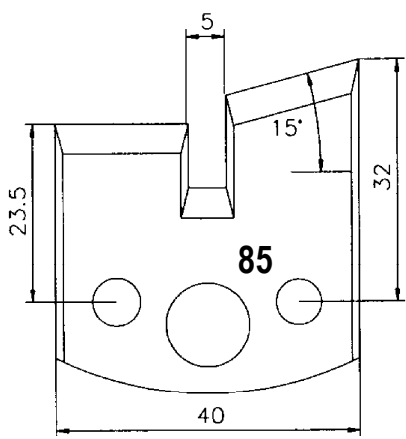


120N83 / 120C83

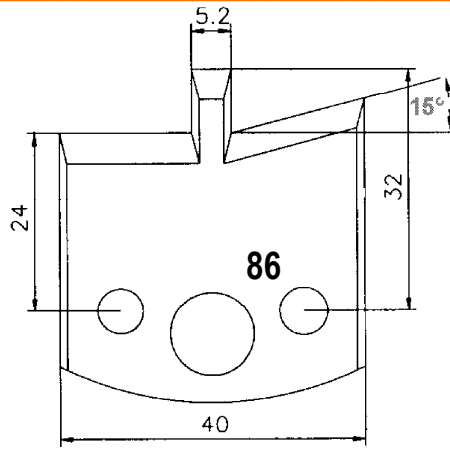


120N84 / 120C84

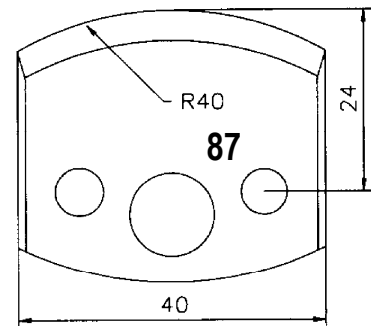
COLTELLI PROFILATI DA 40 x 4 mm



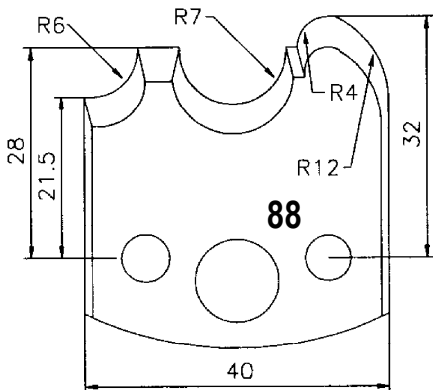
120N85 / 120C85



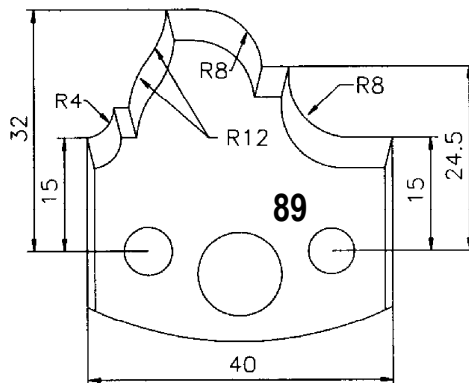
120N86 / 120C86



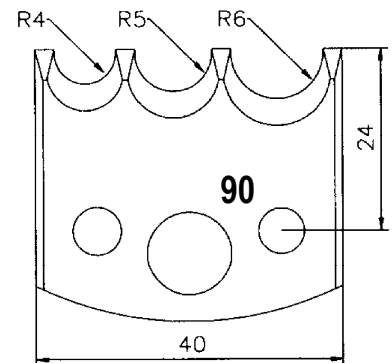
122N87 / 122C87



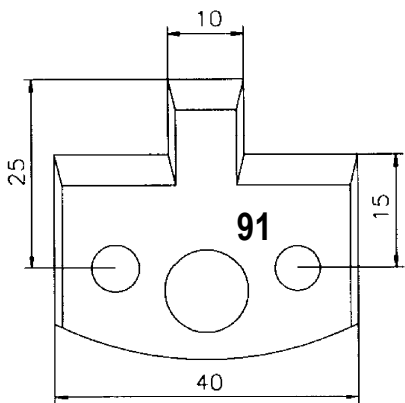
122N88 / 122C88



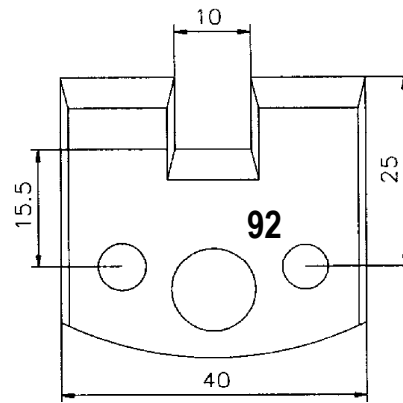
122N89 / 122C89



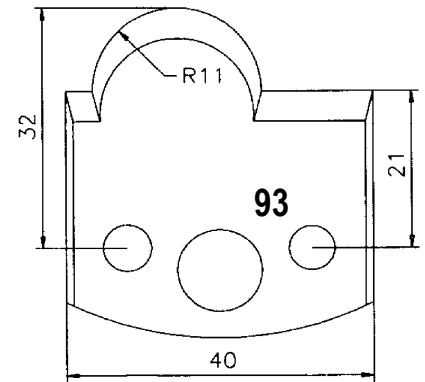
122N90 / 122C90



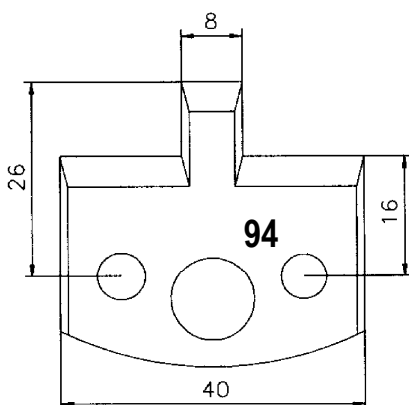
120N91 / 120C91



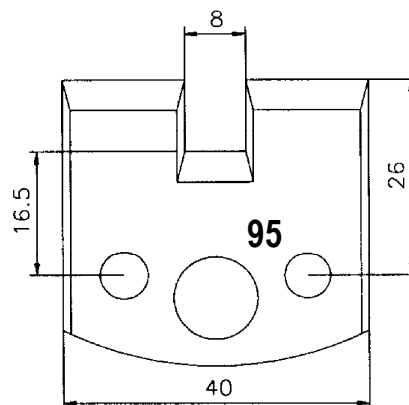
120N92 / 120C92



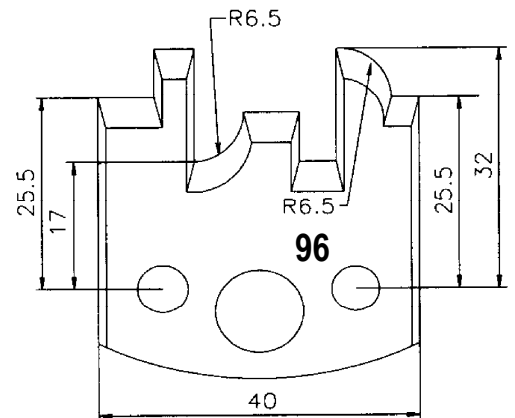
120N93 / 120C93



120N94 / 120C94

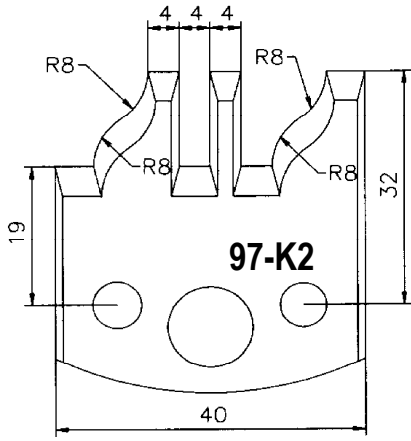


120N95 / 120C95

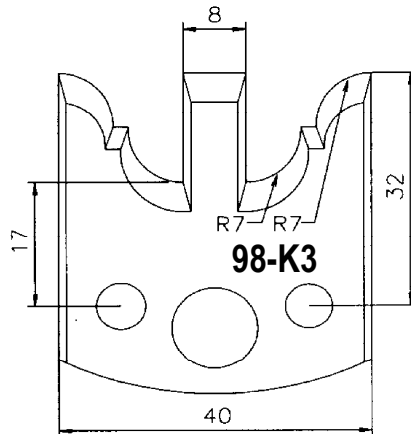


123N96 / 123C96

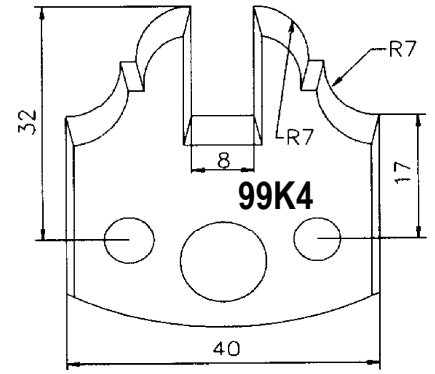
COLTELLI PROFILATI DA 40 x 4 mm



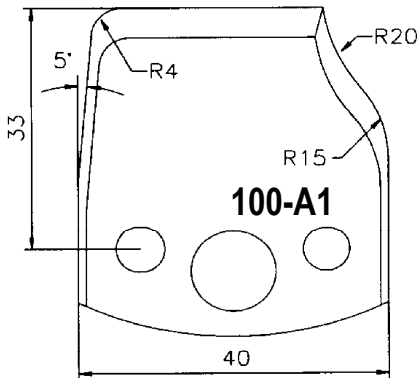
123N97 / 123C97



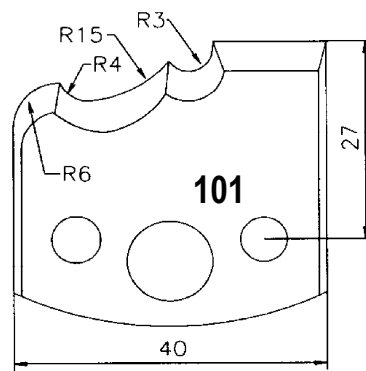
123N98 / 123C98



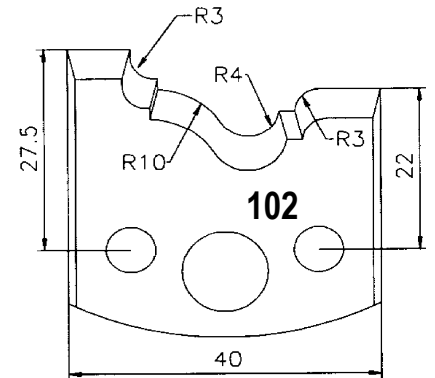
123N99 / 123C99



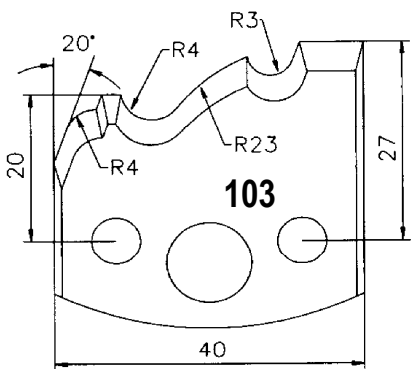
123N100 / 123C100



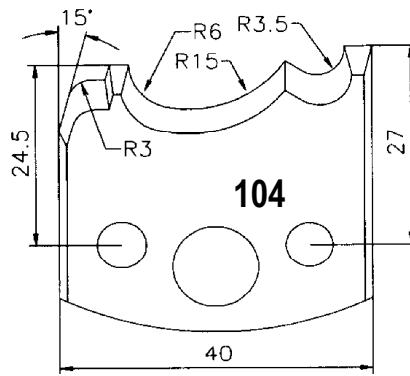
120N101 / 120C101



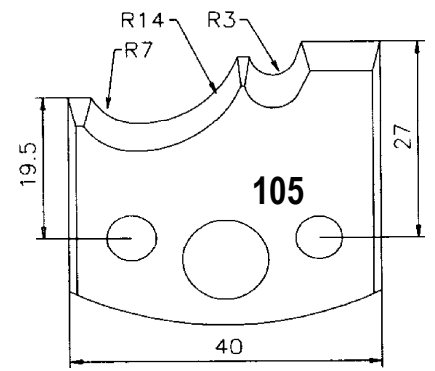
120N102 / 120C102



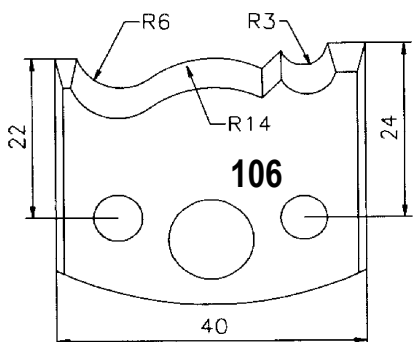
120N103 / 120C103



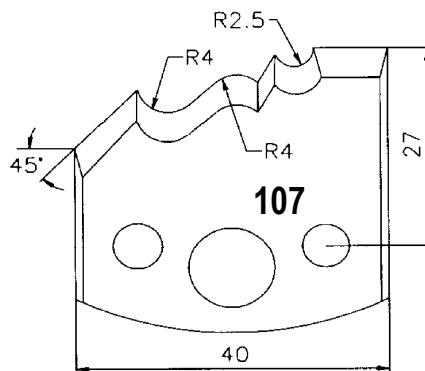
120N104 / 120C104



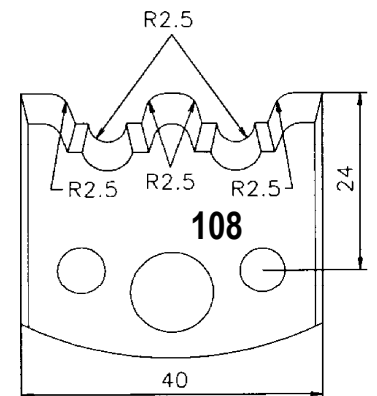
120N105 / 120C105



120N106 / 120C106

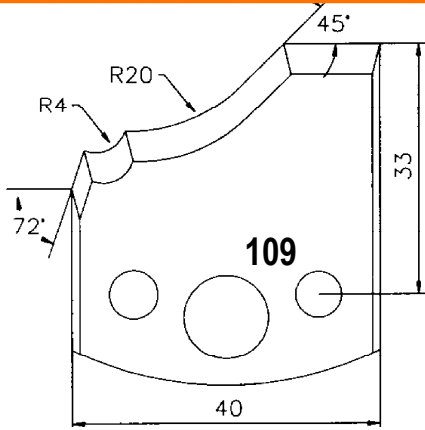


120N107 / 120C107

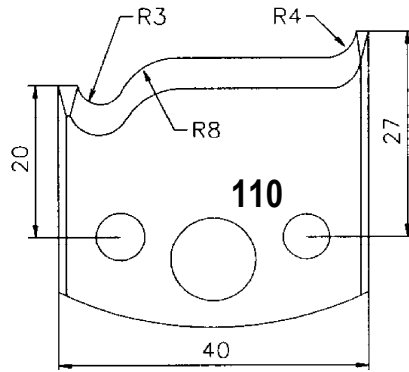


120N108 / 120C108

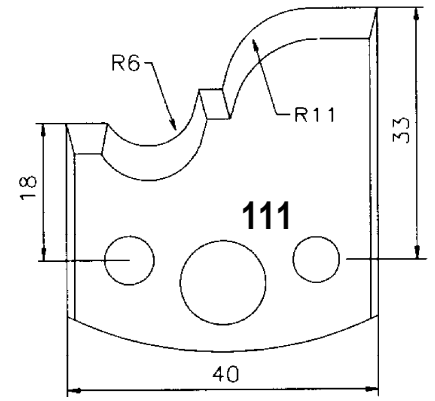
COLTELLI PROFILATI DA 40 x 4 mm



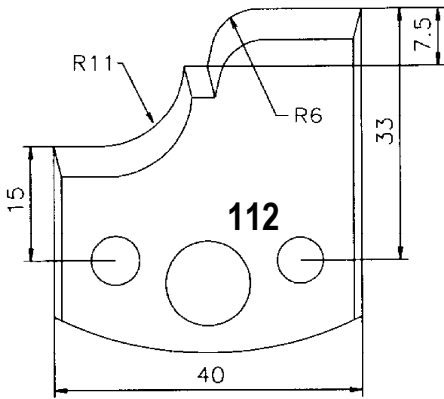
120N109 / 120C109



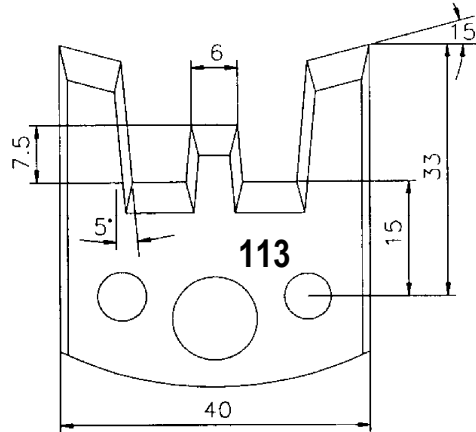
120N110 / 120C110



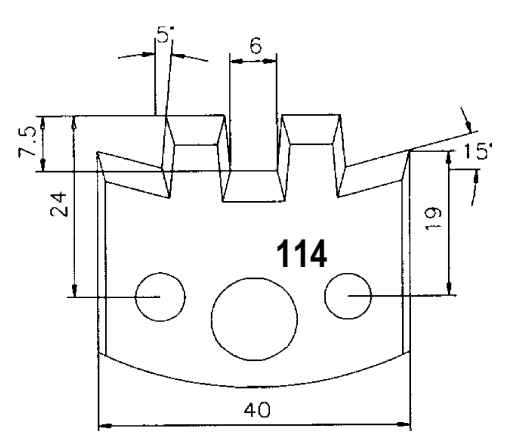
120N111 / 120C111



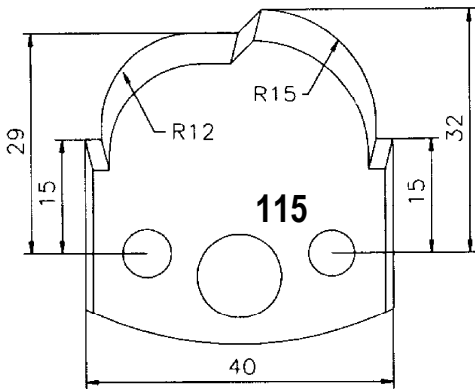
120N112 / 120C112



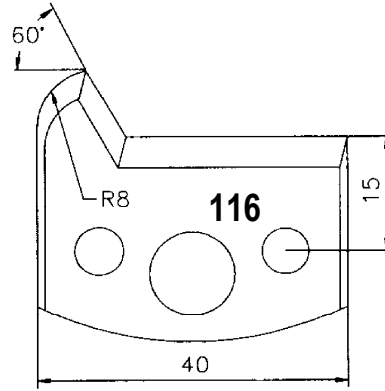
120N113 / 120C113



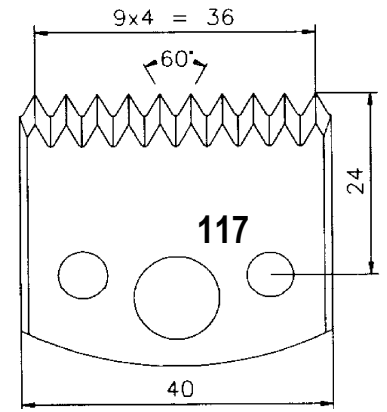
120N114 / 120C114



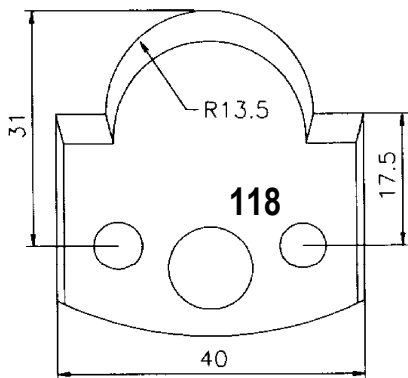
120N115 / 120C115



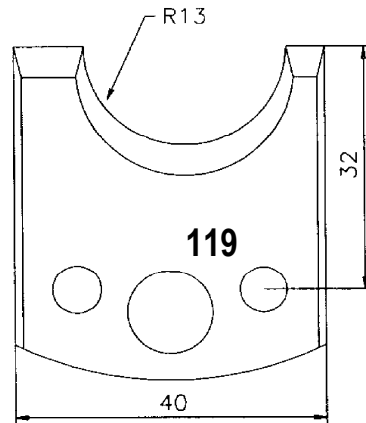
120N116 / 120C116



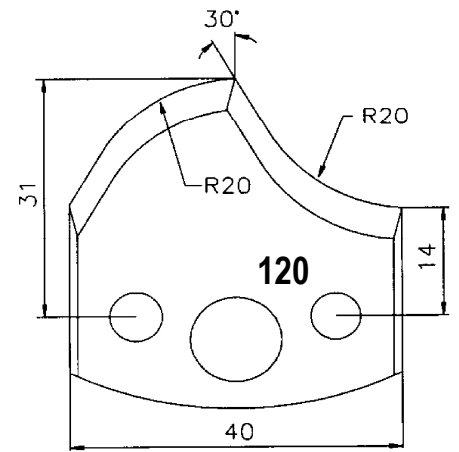
120N117 / 120C117



120N118 / 120C118

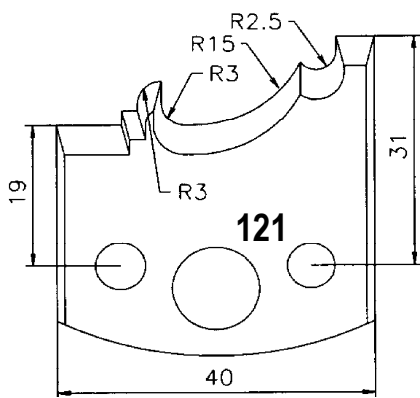


120N119 / 120C119

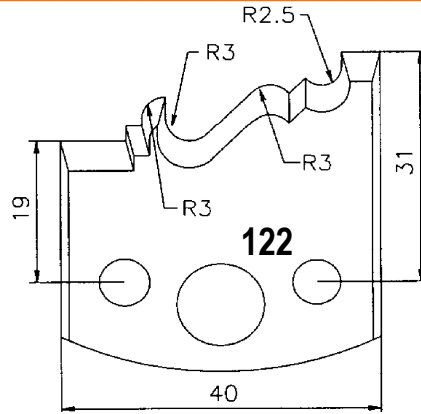


120N120 / 120C120

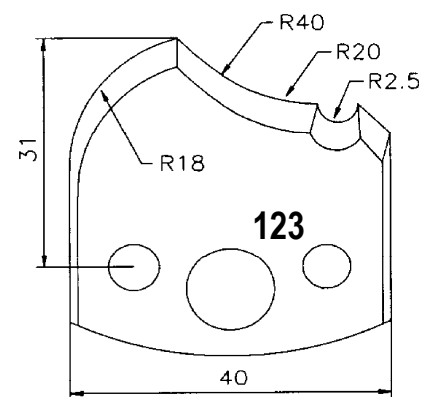
COLTELLI PROFILATI DA 40 x 4 mm



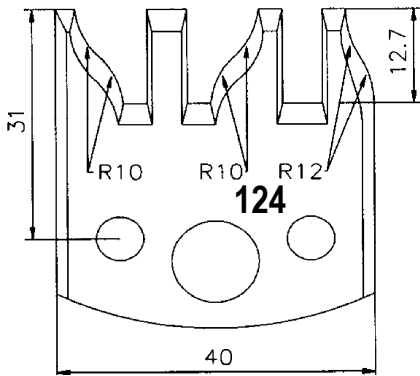
120N121 / 120C121



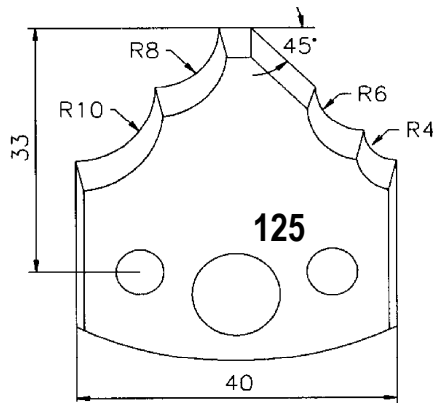
120N122 / 120C122



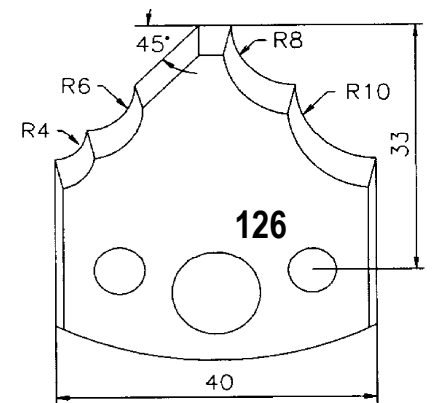
120N123 / 120C123



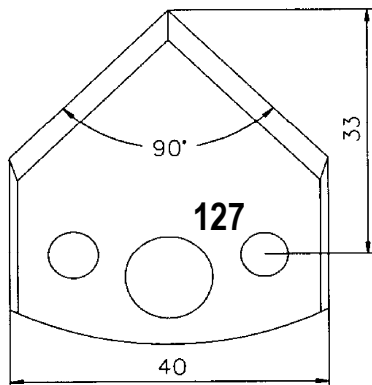
123N124 / 123C124



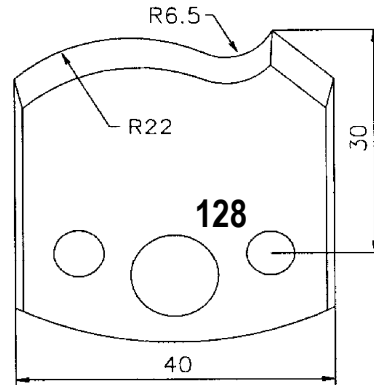
120N125 / 120C125



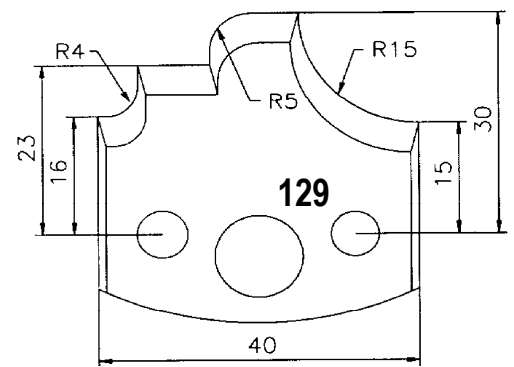
120N126 / 120C126



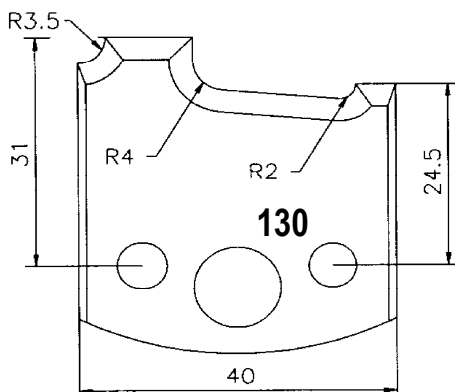
120N127 / 120C127



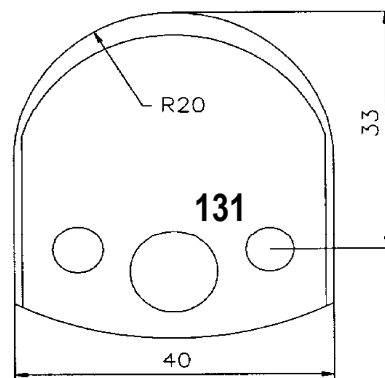
120N128 / 120C128



120N129 / 120C129



120N130 / 120C130



120N131 / 120C131

COLTELLI PROFILATI DA 40 x 4 mm

