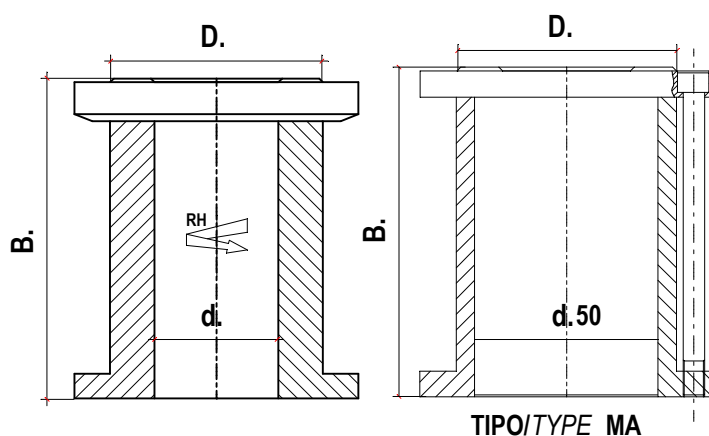


# MOZZI - BUSSOLE - ANELLI

## SLEEVES - REDUCING BUSHES - RINGS

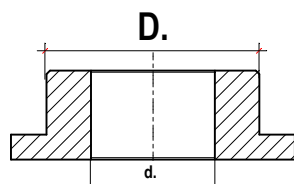
### MOZZI PER UTENSILI SLEEVES FOR TOOLS

Codice nr. HW	D. mm.	B mm.	d. mm.
M50/90	50	90	30-35-40
M50/100	50	100	30-35-40
M60/90	60	90	30-35-40-50
M60/100	60	100	30-35-40-50
MA60	60	50-110	50



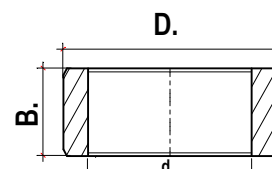
### BUSSOLE DI RIDUZIONE CON GRADINO REDUCING BUSHES WITH COLLAR

Codice	D. mm.	d. mm.
3530G	35	30
3531G	35	31.75
4030G	40	30
4031G	40	31.75
4035G	40	35
5030G	50	30
5031G	50	31.75
5035G	50	35
5040G	50	40
6030G	60	30



### BUSSOLE DI RIDUZIONE REDUCING BUSHES

Codice	D. mm.	B mm.	d. mm.
1610	35-40	10	30-35
1615	35-40	15	30-35
1620	35-40	20	30-35
1630	35-40	30	30-35
3020	30	2	20
3025	30	2	25
3225	32	2	25
3230	32	2	30
3520	35	2	20
3525	35	2	25
3530	35	2	30



### ANELLI RINGS

Codice	D. mm.	B mm.	d. mm.
15001	68-78	0.1	30-35-40-50-60
15003	68-78	0.3	30-35-40-50-60
15005	68-78	0.5	30-35-40-50-60
1501	68-78	1	30-35-40-50-60
1502	68-78	2	30-35-40-50-60
1503	68-78	3	30-35-40-50-60
1504	68-78	4	30-35-40-50-60
1505	68-78	5	30-35-40-50-60
1506	68-78	6	30-35-40-50-60
1507	68-78	7	30-35-40-50-60
1508	68-78	8	30-35-40-50-60
1510	68-78	10	30-35-40-50-60

