

# COLTELLI PROFILATI DA 50 x 5.5 mm

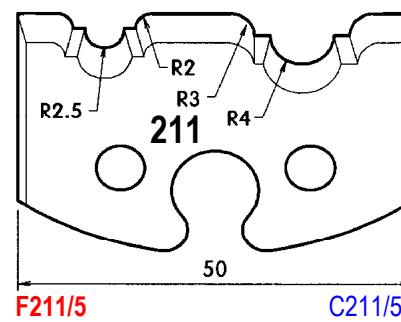
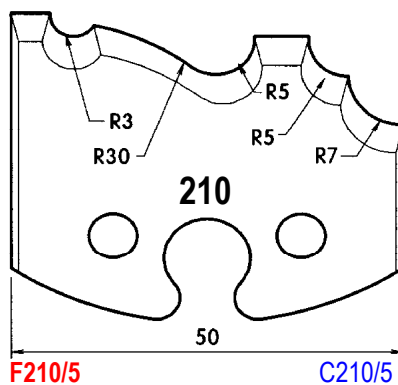
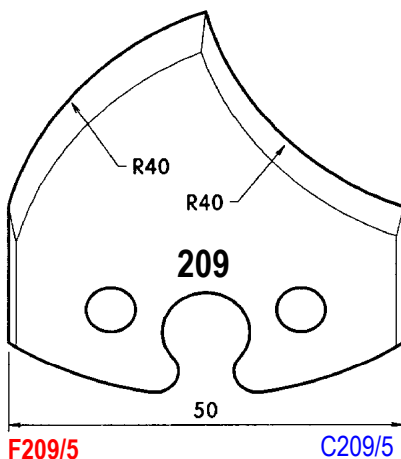
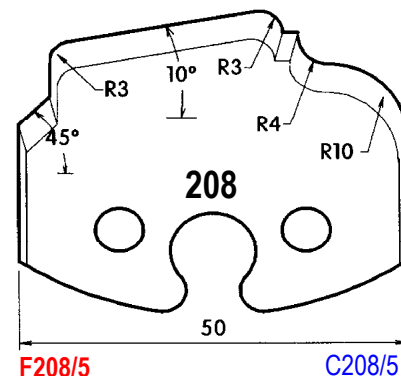
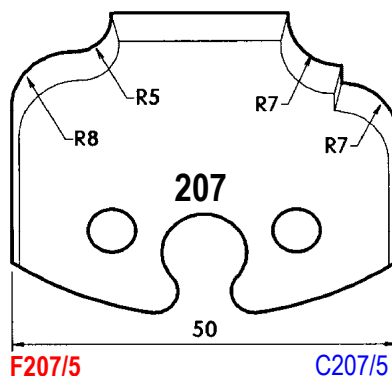
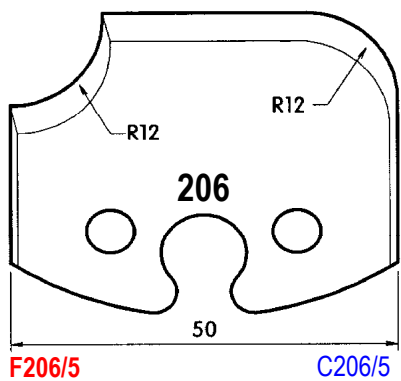
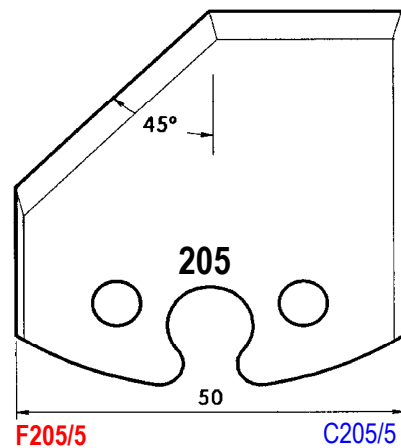
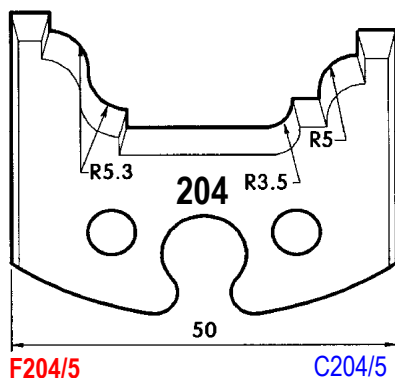
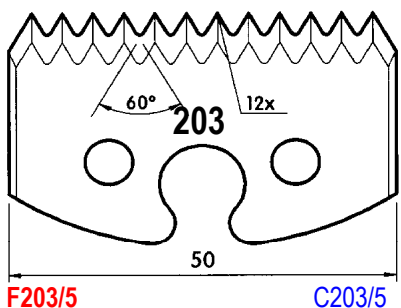
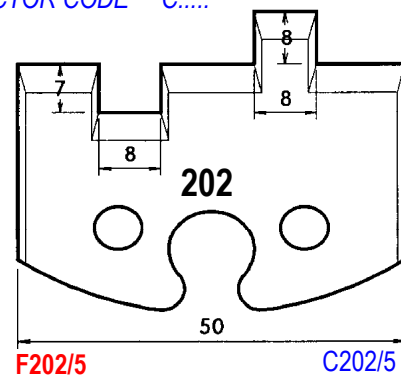
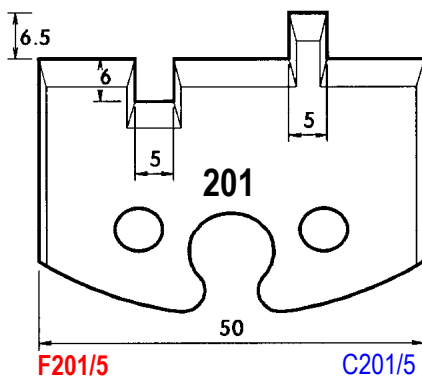
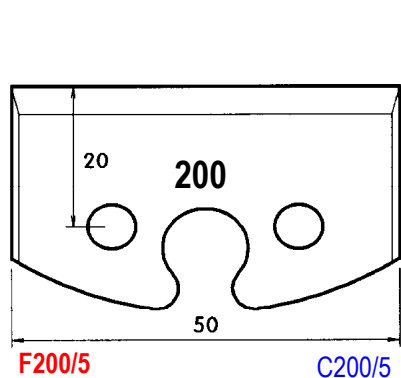
COLTELLI E LIMITATORI IN ACCIAIO SP DA 50 x 5.5 mm. PER TESTE TIPO 104 - 105.  
 PROFILED KNIVES AND DEFLECTORS IN SP STEEL 50 x 5.5 mm.  
 WITH HEADS TYPE 104 - 105.

**CODICE COLTELLO F.....**

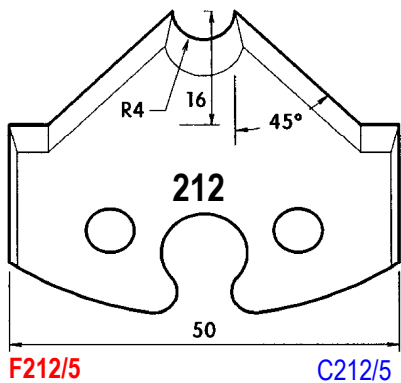
**KNIFE CODE F.....**

**CODICE LIMITATORE C.....**

**DEFLECTOR CODE C.....**

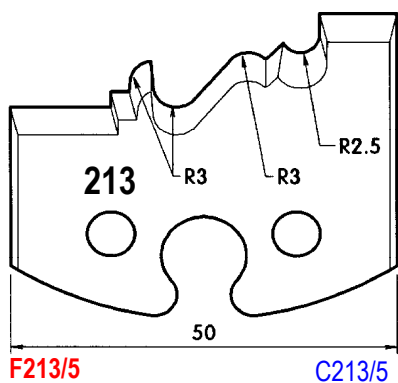


# COLTELLI PROFILATI DA 50 x 5.5 mm



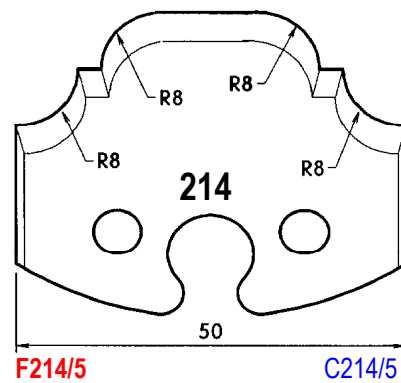
F212/5

C212/5



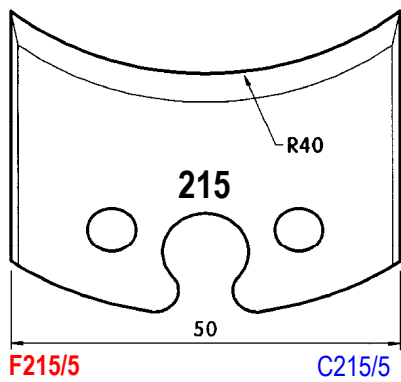
F213/5

C213/5



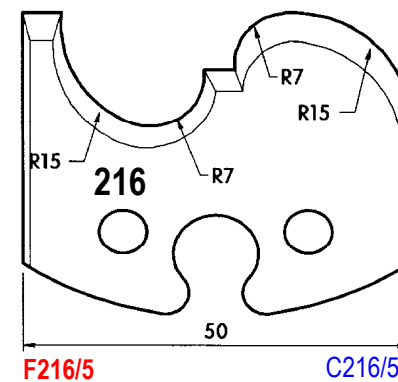
F214/5

C214/5



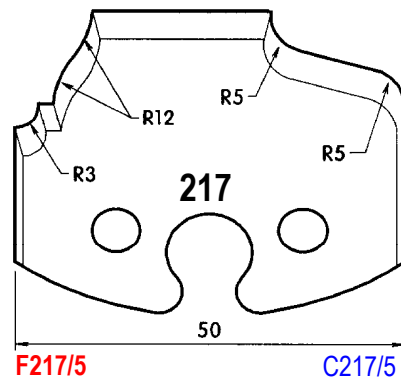
F215/5

C215/5



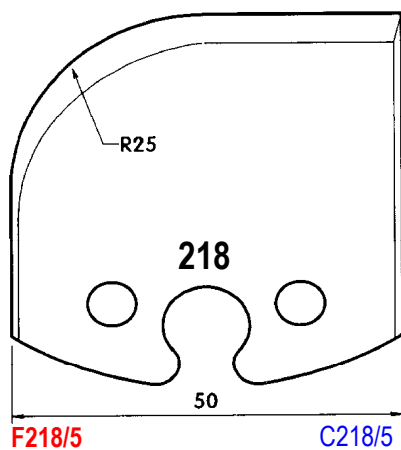
F216/5

C216/5



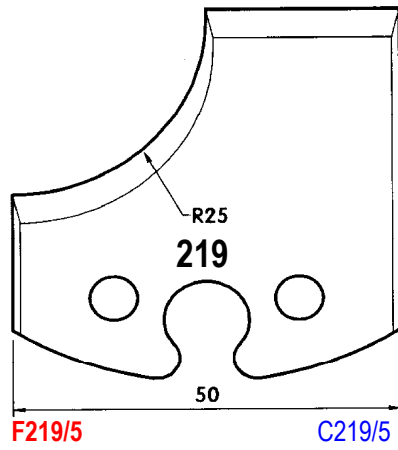
F217/5

C217/5



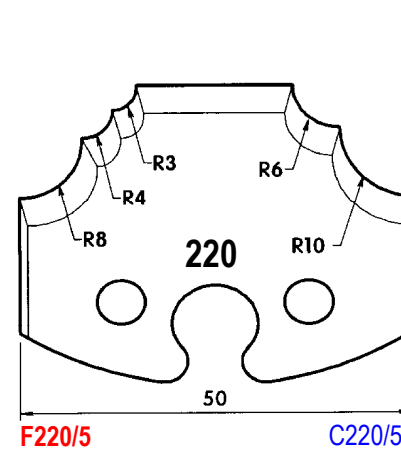
F218/5

C218/5



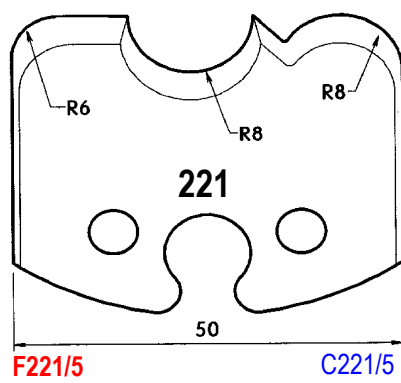
F219/5

C219/5



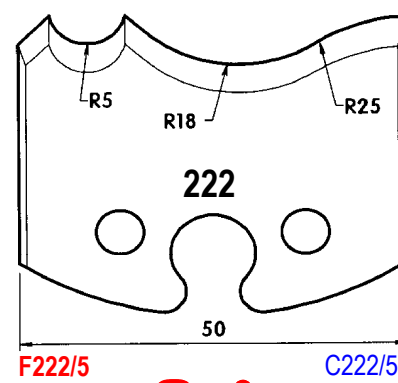
F220/5

C220/5



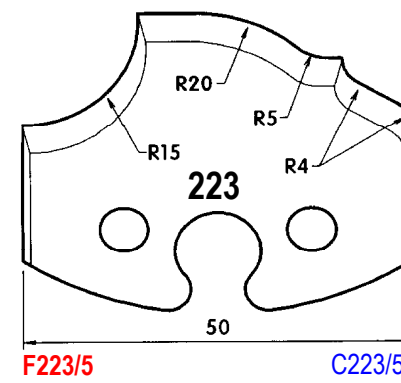
F221/5

C221/5



F222/5

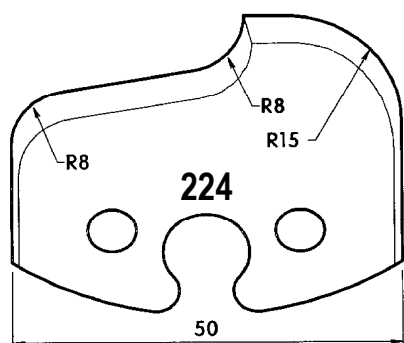
C222/5



F223/5

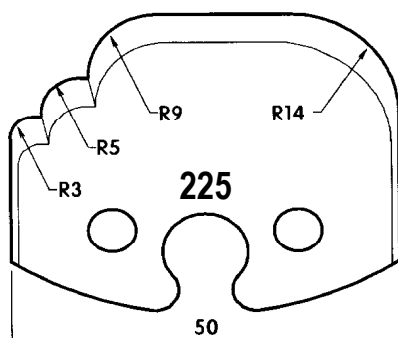
C223/5

# COLTELLI PROFILATI DA 50 x 5.5 mm



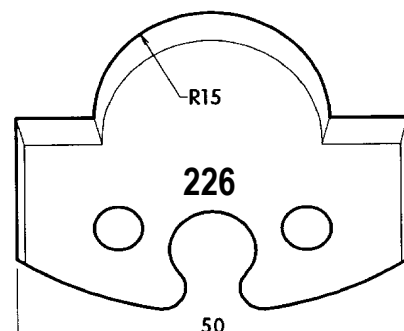
F224/5

C224/5



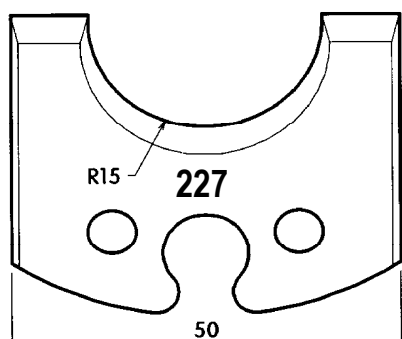
F225/5

C225/5



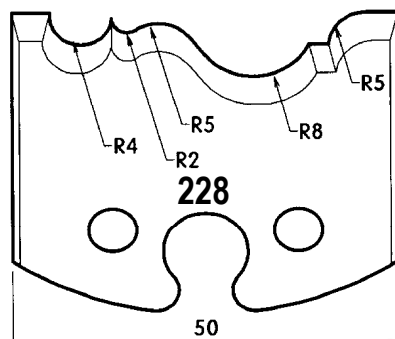
F226/5

C226/5



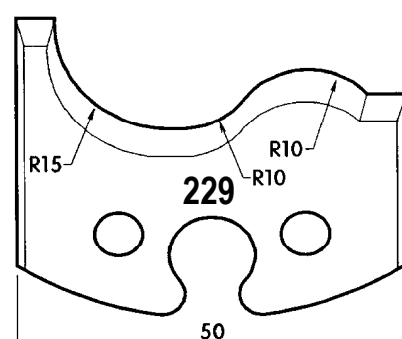
F227/5

C227/5



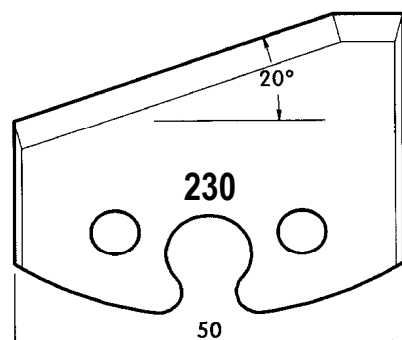
F228/5

C228/5



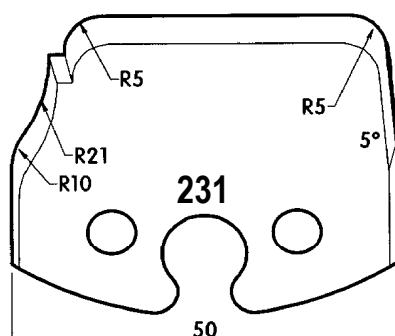
F229/5

C229/5



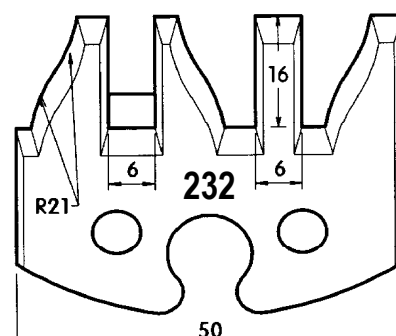
F230/5

C230/5



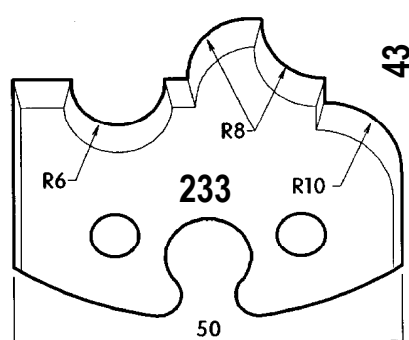
F231/5

C231/5



F232/5

C232/5



F233/5

C233/5



F200A

50

C200A

**CODICE COLTELLO F.....**  
**KNIFE CODE F.....**  
**CODICE LIMITATORE C.....**  
**DEFLECTOR CODE C.....**